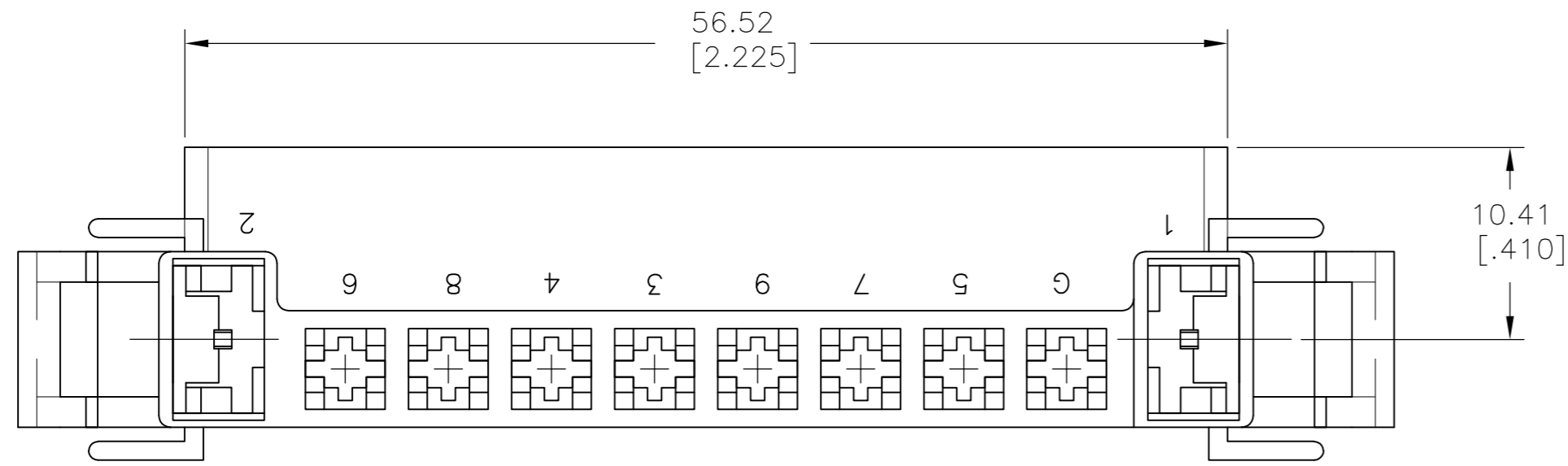
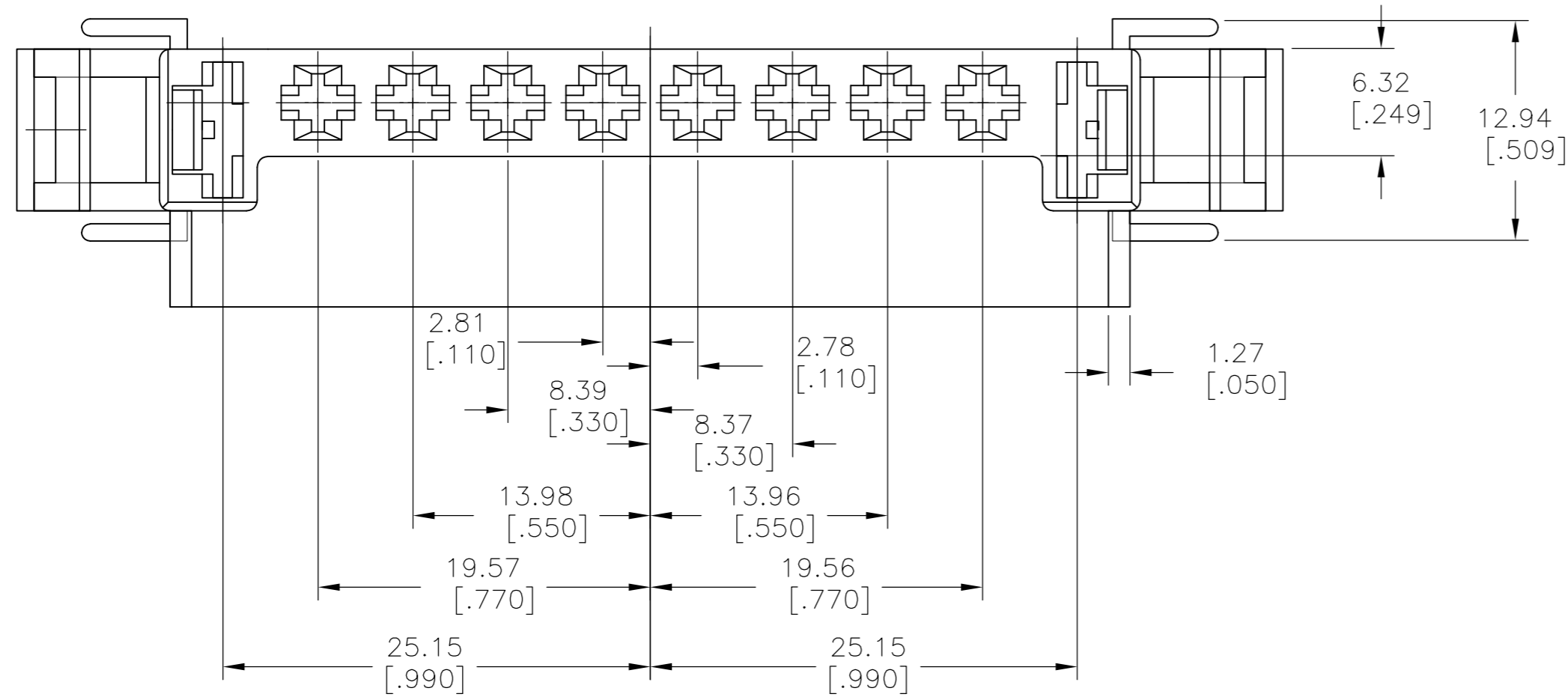
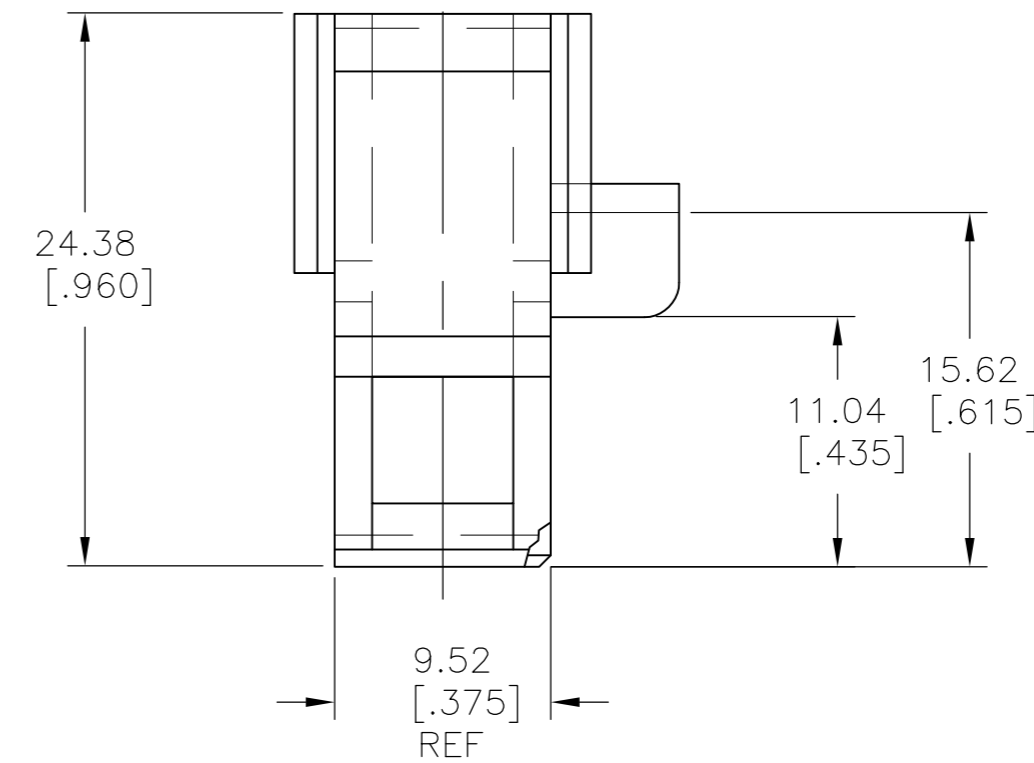
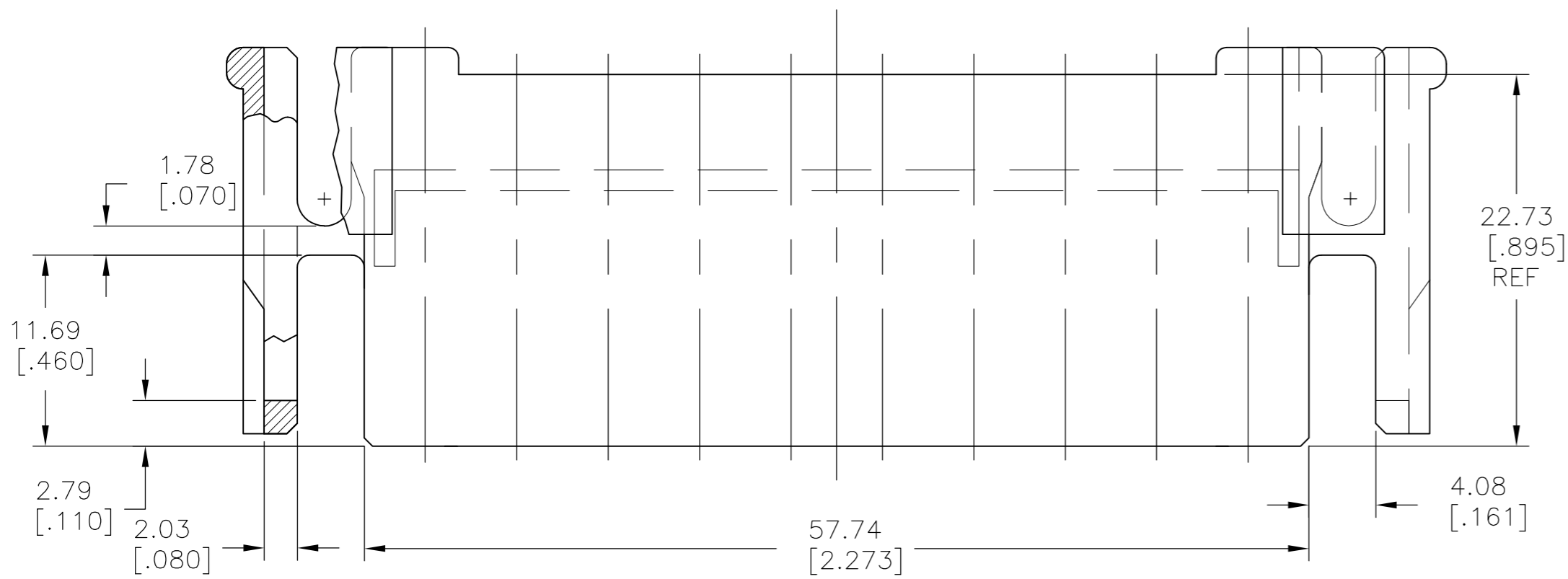


THIS DRAWING IS UNPUBLISHED. RELEASED FOR PUBLICATION
 © COPYRIGHT - By - ALL RIGHTS RESERVED.

LOC		DIST		REVISIONS			
P	LTR	DESCRIPTION		DATE	DWN	APVD	
AF	50	C		REVISED PER ECO 12-020838	28NOV12	JR	GJ



- 1 POSITIONS 3 THRU 8 AND G ACCEPT .125 BLADE RECEPTACLE P/N 1217039-1
- 2 POSITIONS 1 AND 2 ACCEPT .250 FASTON LIF RECEPTACLES P/N 603306-() OR 63537-() OR 63365-(). ALSO ACCEPTS FASTON RECEPTACLE 280001-9
- 3 GLOW WIRE COMPLIANT PER IEC 60335-1, 750°C NO FLAME.
- 4 PRELIMINARY - NOT FOR PRODUCTION



2.5 mm2 (#13.5 awg)	BLACK	3 NYLON 6	4 521986-3
2.5 mm2 (#13.5 awg)	NATURAL	3 NYLON 6	521986-2
5.0 mm2 (#10 awg)	NATURAL	NYLON 6/6	521986-1
MAX WIRE SIZE	COLOR	MATERIAL	PART NO.

THIS DRAWING IS A CONTROLLED DOCUMENT.		DWN JR RUTH 06DEC06	TE TE Connectivity	
DIMENSIONS: mm [INCHES]		CHK JOHN KNOLL 06DEC06		
TOLERANCES UNLESS OTHERWISE SPECIFIED:		APVD JOHN KNOLL 06DEC06	NAME MOTOR HOUSING, DRYER, 10 POSITION GEN III	
0 PLC ± -		PRODUCT SPEC 108-1271-1	SIZE CAGE CODE DRAWING NO RESTRICTED TO	
1 PLC ± -		APPLICATION SPEC 114-49003	A2 00779 C=521986	
2 PLC ± 0.25[.010]		WEIGHT -	SCALE 3:1 SHEET 1 OF 1 REV C	
3 PLC ± -		MATERIAL SEE TABLE	FINISH SEE TABLE	
4 PLC ± -		CUSTOMER DRAWING		
ANGLES ± -				